

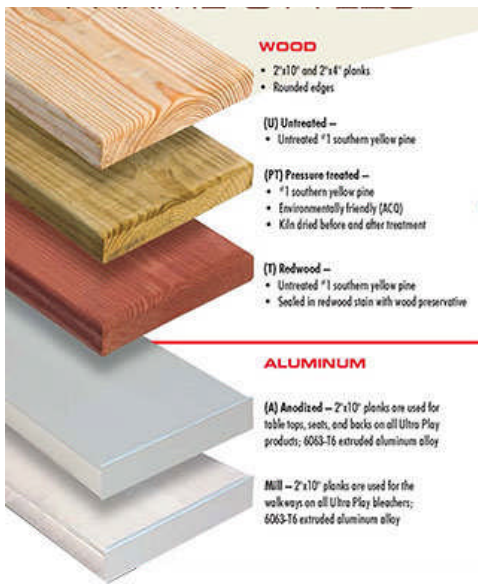
N.O.F. / Inc.



6' Bollard Style Double Bench with Back - Inground Mount.

- Available in 6' and 8' lengths
- 53 13/16"H x 52 1/4"D. 18" Seat height.
- 2" x 4" Slats.
- 3" x 3" Square x 11 gauge pre-galvanized structural steel tubing.
- All MIG welded frame with zinc plated hardware.
- Frame available with galvanized or powder coated finish.
- Available in Untreated Pine, Treated Pine, Redwood Stained Pine and Aluminum Planks.
- Available in surface and inground mount.
- Some assembly required.

Item #: US 960IG

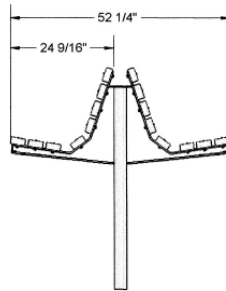
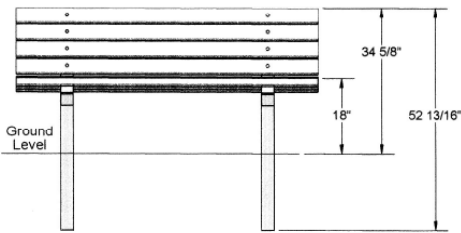
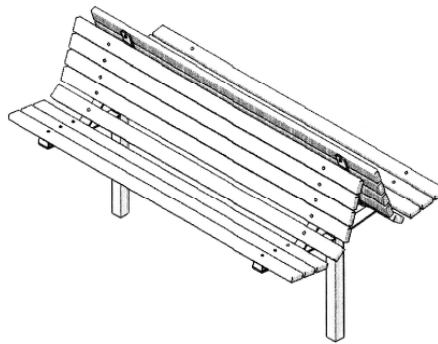
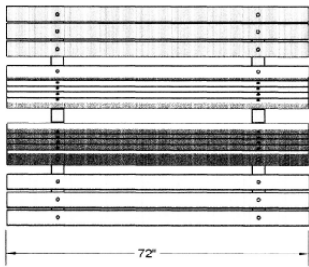


Model Number	Description
US 960IG-U6	6' Double Park Bench, 190 Lbs., Untreated Pine, Inground Mount.
US 960IG-PT6	6' Double Park Bench, 190 Lbs., Treated Pine, Inground Mount.
US 960IG-T6	6' Double Park Bench, 190 Lbs., Redwood Stained Pine, Inground Mount.
US 960IG-U8	8' Double Park Bench, 220 Lbs., Untreated Pine, Inground Mount.
US 960IG-PT8	8' Double Park Bench, 220 Lbs., Treated Pine, Inground Mount.
US 960IG-T8	8' Double Park Bench, 220 Lbs., Redwood Stained Pine, Inground Mount.

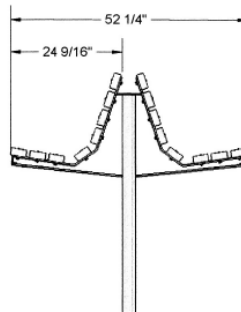
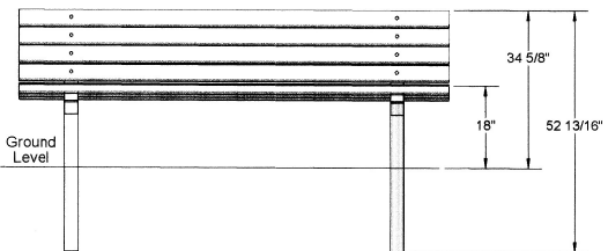
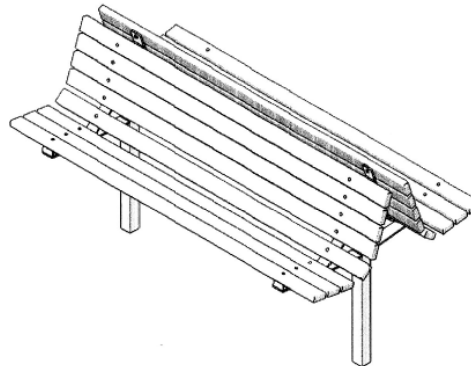
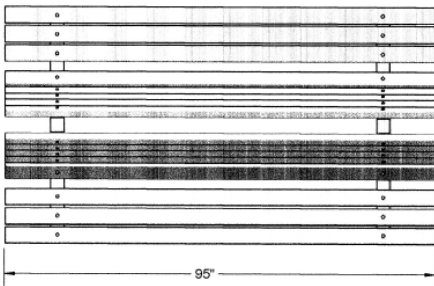
Powder Coat Colors



6' Bollard Style Double Bench with Back



8' Bollard Style Double Bench with Back



NATIONAL OUTDOOR FURNITURE, INC.
 1210 W. Main Street #296 Riverhead, NY 11901
 Toll-Free Phone: 1-888-663-4621
 Phone: 631-369-9099 Fax: 631-207-8312
 Email: nofinc@optonline.net
www.nationaloutdoorfurniture.com

NATIONAL OUTDOOR FURNITURE, INC.
 144 Murdock Road #325 Pomfret Center, CT 06259
 Toll-Free Phone: 1-888-516-8873
 Phone: 1-860-974-1551 Fax: 516-706-1901
 Email: nofinc@earthlink.net
www.nationaloutdoorfurniture.com